

1141240
TR 225 NEO 230V 50HZ SPH H30 200KG

3300361_1141240_R00W - R00W (1/3/2024)



Access Platform Division

Via San Francesco d'Assisi, 8 - 46020 Pegognaga (Mantova) - ITALY Tel. +39 0376
554011 - Fax +39 0376 559855

www.imergroup.com

Building Equipment Division

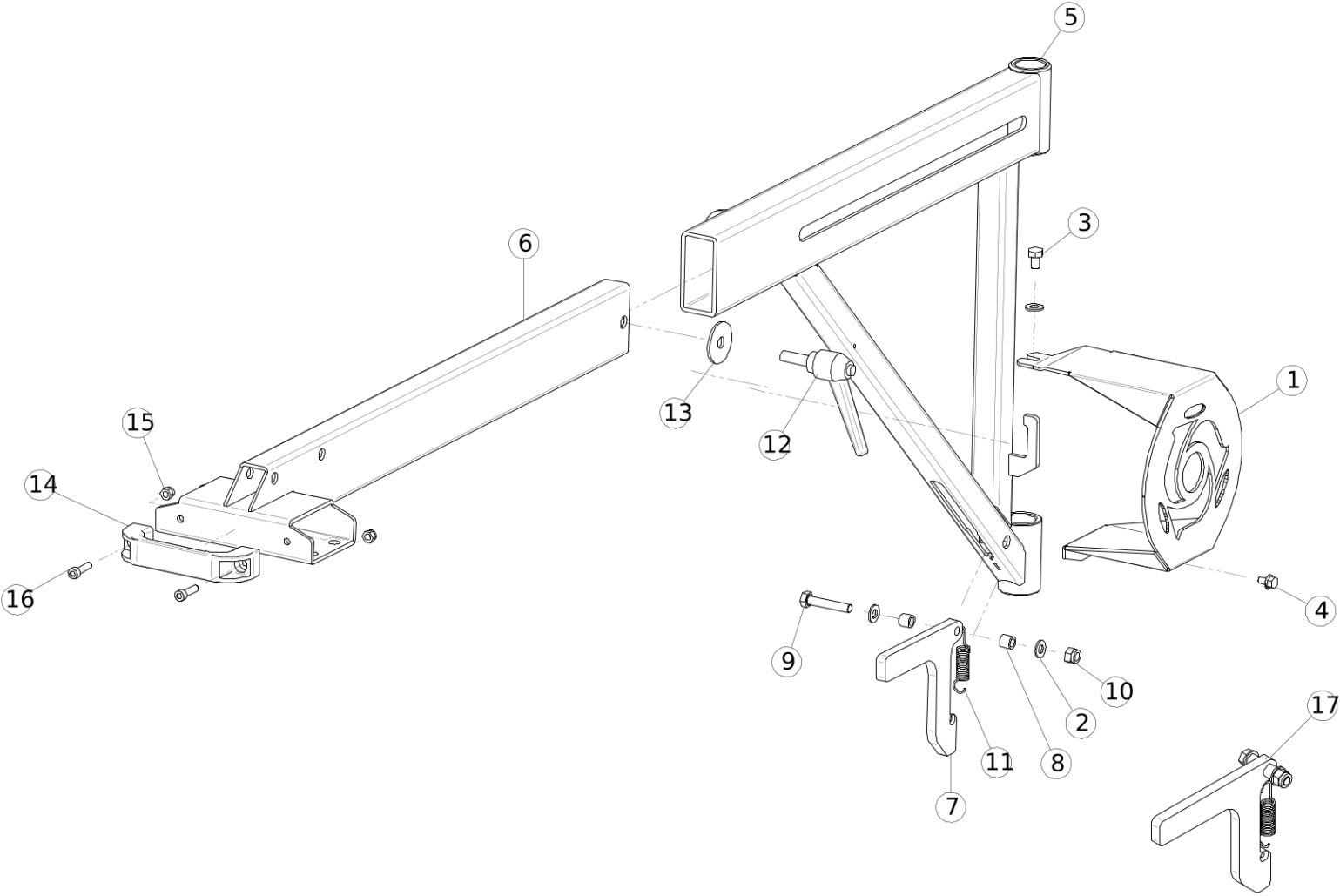
Via della Meccanica, 39 (Zona Industriale Sentino) - 53040 Rapolano Terme
(Siena) - ITALY - Tel. +39 0577 97341 - Fax +39 0577 704077

www.imergroup.com

www.imerglobalcustomercare.com



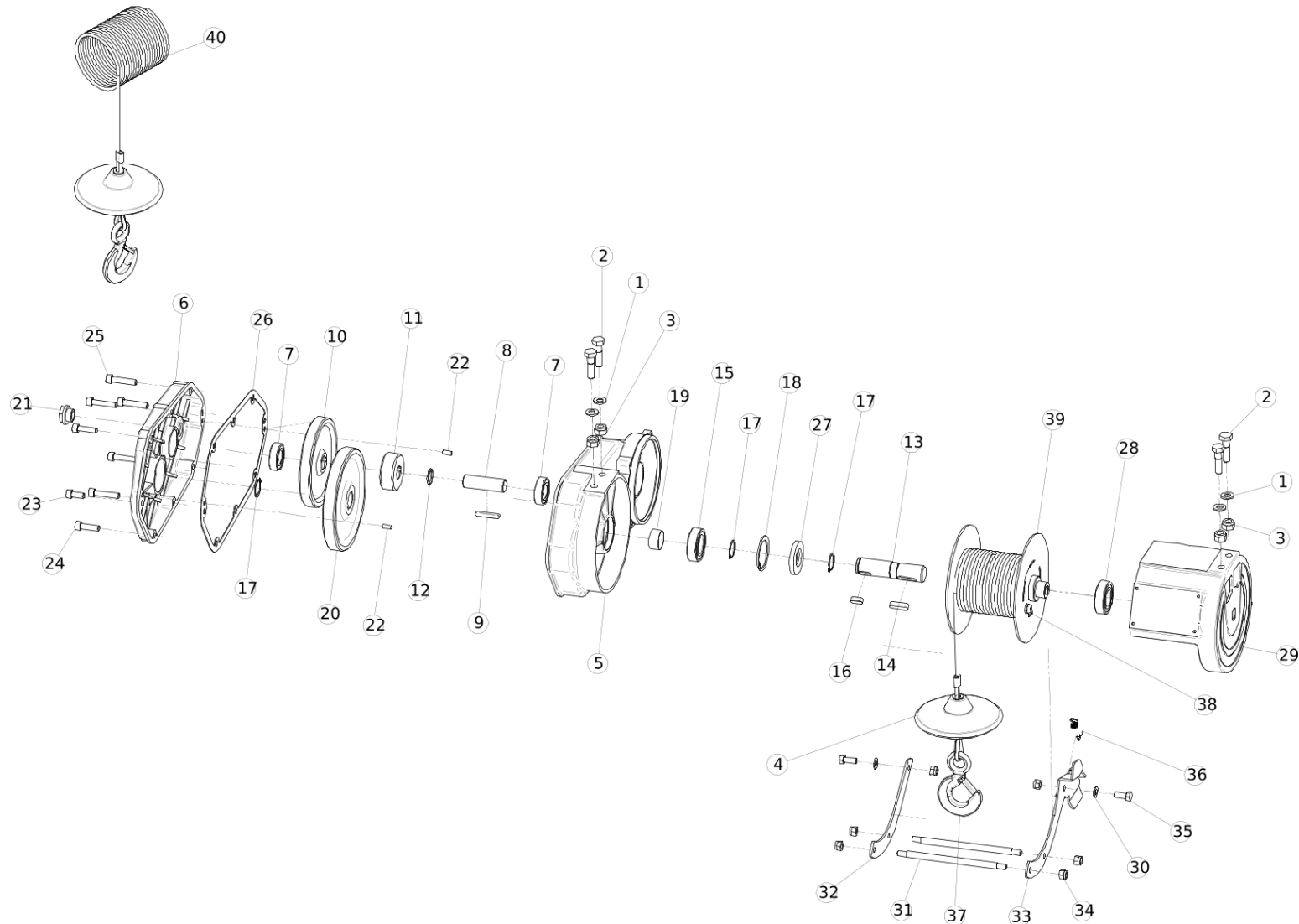
FRAME





N.	CODE	DESCRIPTION	UM	QTY
1	3300297	ENGINE COVER	PZ	1.0
2	2224140	ROLLER 6593	PZ	3.0
3	2222063	SCREW TE 8.8 5739 8X 12 Z		1.0
4	3225750	BOLT/SAW	PZ	1.0
5	3300308	SUPPORT		1.0
6	3300311	FRAME		1.0
7	3300303	HANDLE	PZ	1.0
8	3300304	HANDLE SPACER		2.0
9	2222189	BOLT/SAW	PZ	1.0
10	2223923	LOCK NUT	PZ	1.0
11	3224645	LIMIT SWITCH SPRING BE 200	PZ	1.0
12	2201950	Handle	PZ	1.0
13	2224220	WASHER	PZ	1.0
14	3204888	Handle	PZ	1.0
15	2223924	NUT	PZ	2.0
16	2222541	SCREW/SAW	PZ	2.0
17	3300353			1.0

GEARBOX AND STEEL ROPE





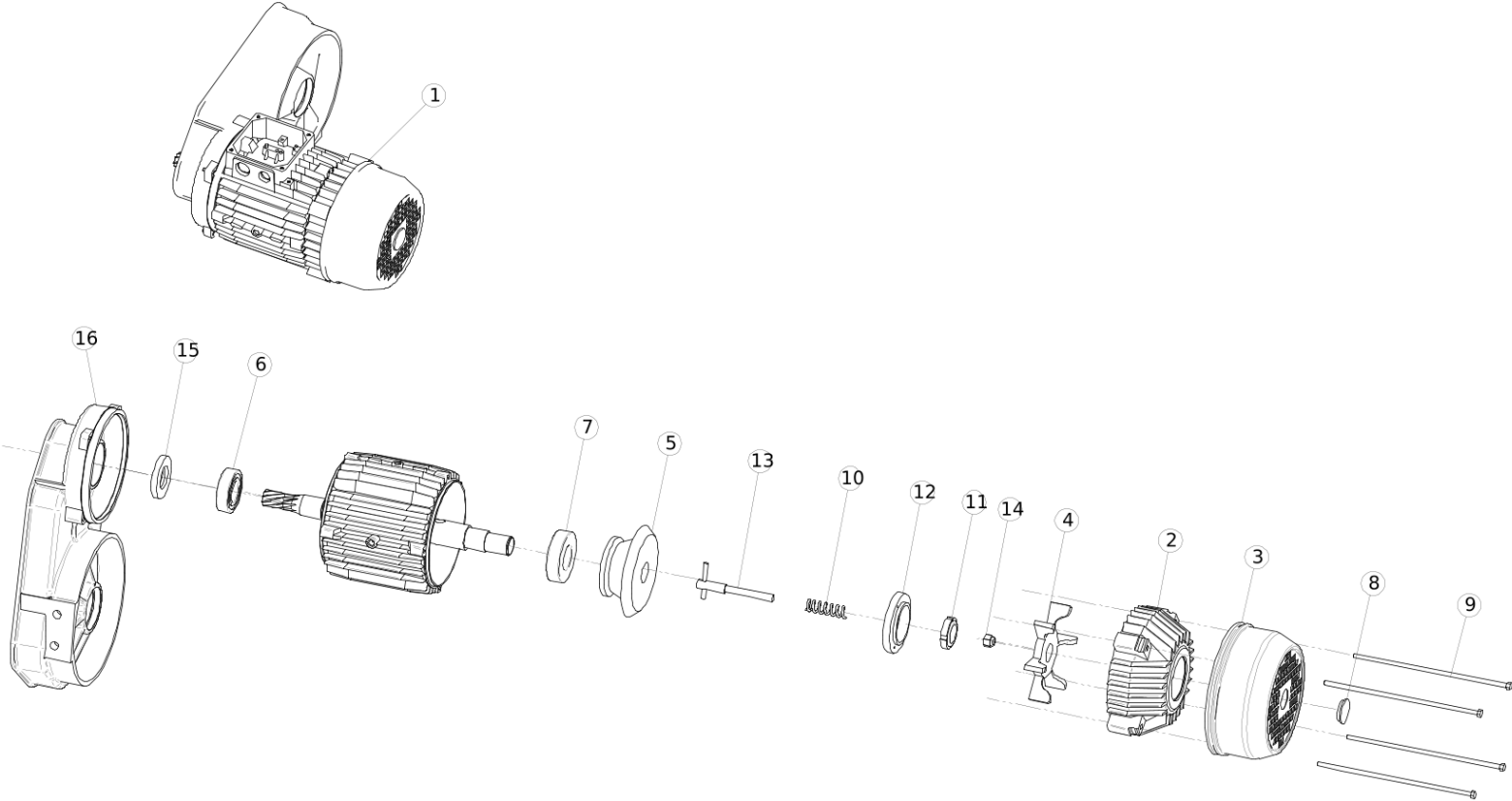
N.	CODE	DESCRIPTION	UM	QTY
1	2224340	ROLLER/MORTAR PUMP	PZ	4.0
2	2222099	SCREW	PZ	4.0
3	2223920	SELF-LOCKING NUT	PZ	4.0
4	2214510	BALLAST B 300	PZ	1.0
5	3300264	SHELL	PZ	1.0
6	3225254	GEARMOTOR FLANGE	PZ	1.0
7	2204440	Bearing	PZ	2.0
8	2201130	SHAFT	PZ	1.0
9	2229327	KEY	PZ	1.0
10	3213528	GEAR Z76 M1,75	PZ	1.0
11	2202497	GEAR WHEEL	PZ	1.0
12	2237301	SPACER	PZ	1.0
13	3300269	DRUM TREE		1.0
14	2229400	KEY	PZ	1.0
15	2204550	Bearing	PZ	1.0
16	2229450	KEY	PZ	1.0
17	2227280	2227280 RING SNAP	PZ	3.0
18	2227700	STOP RING	PZ	1.0
19	2237299	SPACER	PZ	1.0
20	2202499	GEAR WHEEL	PZ	1.0
21	2235420	level	PZ	1.0



N.	CODE	DESCRIPTION	UM	QTY
22	2228820	Gudgeon pin	PZ	2.0
23	2222509	SCREW	PZ	1.0
24	2222513	SCREW	PZ	2.0
25	2222514	SCREW	PZ	5.0
26	2216331	GASKET	PZ	1.0
27	2207355	STOP RING	PZ	1.0
28	2204391	Bearing	PZ	1.0
29	3300277	DRUM SUPPORT	PZ	1.0
30	2224140	ROLLER 6593	PZ	4.0
31	3300291	ROUND LIMIT SWITCH	PZ	2.0
32	3300289	RIGHT LIMIT SWITCH PLATE	PZ	1.0
33	3300287	LEFT LIMIT SWITCH PLATE	PZ	1.0
34	2223923	LOCK NUT	PZ	6.0
35	2222060	SCREW	PZ	2.0
36	3224645	LIMIT SWITCH SPRING BE 200	PZ	1.0
37	2213267	HOOK	PZ	1.0
38	3300281	SCREW		1.0
39	3300274	DRUM ELEVATOR '23	PZ	1.0
40	3300912	WIRE ROPE	PZ	1.0



ELECTRIC MOTOR

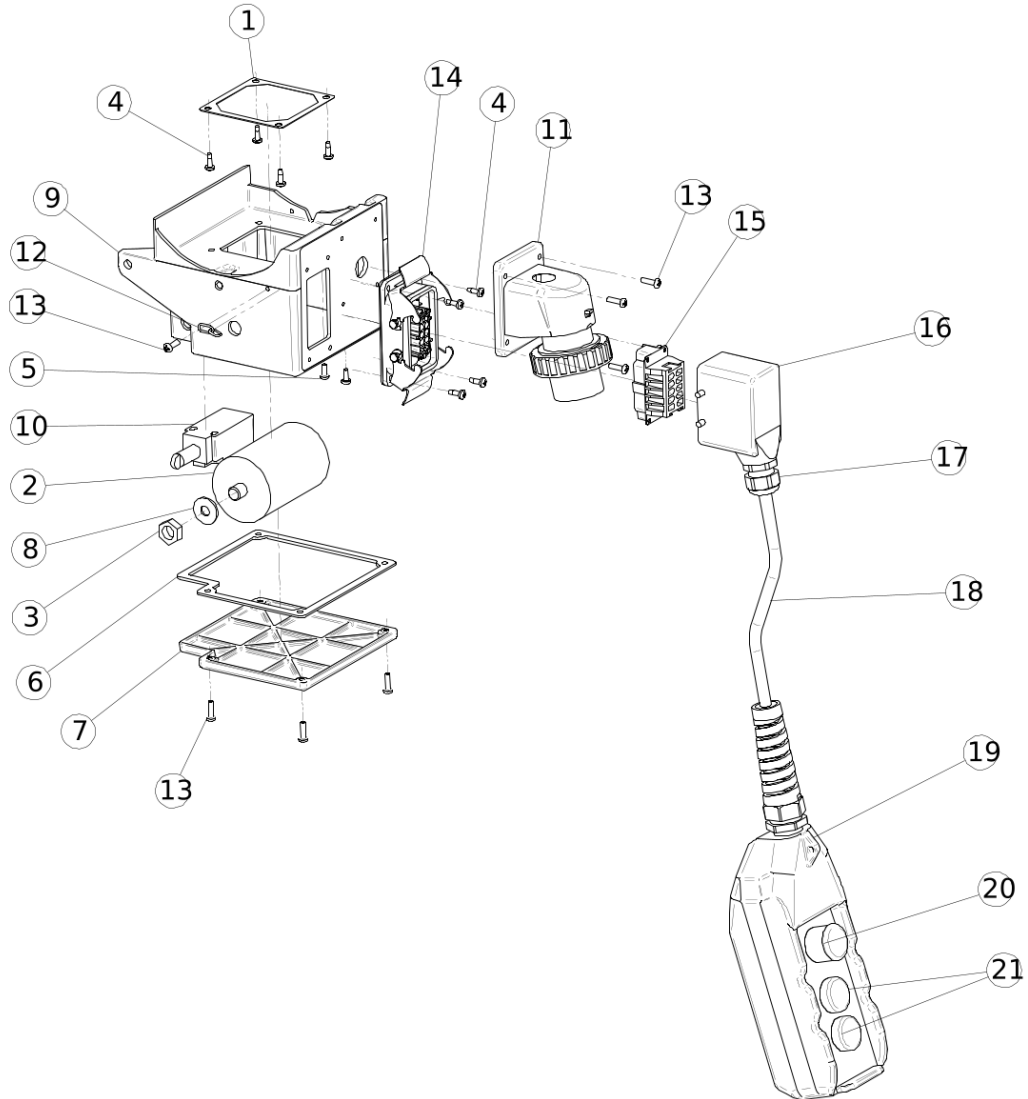




N.	CODE	DESCRIPTION	UM	QTY
1	3300267	ELECTRIC MOTOR	PZ	1.0
2	3225014	REAR SHIELD ENGINE 4369 230V	PZ	1.0
3	3225020	MOTOR FAN COVER 4369 230V BE200	PZ	1.0
4	3225019	MOTOR FAN	PZ	1.0
5	3225012	BLOCK FOR BRAKE	PZ	1.0
6	2204391	Bearing	PZ	1.0
7	2204391	Bearing	PZ	1.0
8	3225021	MOTOR FAN COVER CAP 4369 230V	PZ	1.0
9	3230646	SCREW		4.0
10	3225015	ENGINE BRAKE SPRING 4369 230V	PZ	1.0
11	3225017	ENGINE LOCKING RING CG0250150 M25X1,5	PZ	1.0
12	3225013	ENGINE LOCKING NUT FIR 2344036	PZ	1.0
13	3225016	ENGINE CYLINDER 4369 230V	PZ	1.0
14	3225034	NUT. M.8 SX Z	PZ	1.0
15	2207355	STOP RING	PZ	1.0
16	3300264	SHELL	PZ	1.0



ELECTRIC PANEL AND REMOTE CONTROL





N.	CODE	DESCRIPTION	UM	QTY
1	2216321	GASKET	PZ	1.0
2	3224720	CAPACITOR	PZ	1.0
3	2223705	NUT	PZ	1.0
4	2222460	SCREW/CONC.MIXER	PZ	8.0
5	2222464	SCREW	PZ	2.0
6	3300284	ELECTRIC BOX GASKET	PZ	1.0
7	3300285	ELECTRIC BOX COVER	PZ	1.0
8	2224204	ROLLER/SAW	PZ	1.0
9	3300305	ELECTRIC BOX		1.0
10	3200005	DOWN LIMIT SWITCH	PZ	1.0
11	3203084	PIN	PZ	1.0
12	3213922	DOUBLE GENOVESE SWEATER 12		1.0
13	2222461	SCREW/MN	PZ	9.0
14	2284901	Connector	PZ	1.0
15	2284902	Connector	PZ	1.0
16	2284909	CONNECTOR	PZ	1.0
17	3201442	CABLE CLAMP/SAW	PZ	1.0
18	2277760	CABLE	M	1.0
19	3231738	PUSH BUTTON PANEL 3P 30A 3NO+1NC + M25 D	PZ	1.0
20	3234223	'EMERGENCY BUTTON "K" ELEVATOR PUSH BU	PZ	1.0
21	3301400		PZ	1.0



Access Platform Division

Via San Francesco d'Assisi, 8 - 46020 Pegognaga (Mantova) - ITALY Tel. +39 0376
554011 - Fax +39 0376 559855

www.imergroup.com

Building Equipment Division

Via della Meccanica, 39 (Zona Industriale Sentino) - 53040 Rapolano Terme
(Siena) - ITALY - Tel. +39 0577 97341 - Fax +39 0577 704077

www.imergroup.com